

中山市东菱照明科技有限公司

Zhongshan Done Lighting Technology Co.,Ltd.

SPECIFICATION

CUSTOMER			
MODEL NO.	DL-12W-MPC		
VERSION	V1.1		
SAMPLE DATE			
CUSTOMER			
TEST	CHECK	APPROVE	
CUSTOMER REMARKS			
Please return to us one copy of "SPECIFICATION FOR APPROVAL" with you approved signature.			
MANUFACTRUE			
EDIT	CHECK	APPROVE	
<p>Zhongshan Done Lighting Technology Co.,Ltd.</p> <p>中山市东菱照明科技有限公司</p> <p>No. 3-1&3-2, Kanglong 3rd Road, XinMao Industry Zone, Henglan Town, Zhongshan City, Guangdong Province, P. R. China Post code:528478</p> <p>地址：广东省中山市横栏镇新茂工业区康龙三路3号之一之二 邮编：528478</p> <p>TEL:0760-89838399 89838379 FAX:0760-89831157 89838396</p>			

FEATURES

- ◇ Class II structure
- ◇ Input Voltage:100-277V ~ 50/60Hz
- ◇ Input 230Vac, full load output, maximum efficiency up to 85%
- ◇ Lightning surge : differential mode L-N Class II +/- 1 KV (2 ohm) refer to IEC61000-4-5 2014
- ◇ Hrough The double 85 Test (15 天) @230Vac Full load
- ◇ Derive the LED driver I/P-O/P pressure can reach 1500Vac last 60S
- ◇ Long life design , 3 years warranty
- ◇ Internal glue , level of protection : IP67
- ◇ A Applied in: Street lamp, project-light lamp, wash wall lamp or other outdoor lamps and lanterns
- ◇ Hasthis product suitable for the Indian marker



TYPICAL APPLICATIONS

Indoor household lighting. Indoor commercial lighting.
Outdoor commercial lighting

MODEL LIST

Model	AC Input	Output voltage	Output current	Efficiency	
				115Vac	230Vac
DL-12W-C240-MPC	100~277Vac 50/60Hz	21-42Vdc	240mA	82%	85%
DL-12W-C300-MPC		21-42Vdc	300mA	82%	85%
DL-12W-C350-MPC		21-40Vdc	350mA	82%	85%
DL-12W-C600-MPC		11-22Vdc	600mA	80%	83%

Remark :

1. Default tested at 230Vac,full load with 30 minutes,Ta:25°C.

■ SPECIFICATION

◇ INPUT

Rated voltage	100 - 277Vac
voltage range	90 - 305Vac
Frequency	50/60Hz
Power factor(PF)	/
Input current	$I_{in} < 0.3A$ @100Vac full load
Inrush current (typ.)	Cold start (25°C) <55A @230Vac

◇ OUTPUT

Model	DL-12W-C240-MPC	DL-12W-C300-MPC	DL-12W-C350-MPC	DL-12W-C600-MPC
Rated current	240mA	300mA	350mA	600mA
current range @120-277Vac 50/60Hz	220~257mA	280~315mA	330~370mA	570~630mA
current range @100-120Vac 60Hz	210~257mA	265~315mA	300~368mA	535~630mA
Output voltage range	21~42Vdc	21~42Vdc	21~40Vdc	11~22Vdc
Rated output power	10.1W	12.6W	14W	13.2W
No load voltage	55Vdc	55Vdc	55Vdc	30Vdc
Efficiency(Typ.)	>85%@230Vac Full Load	>85%@230Vac Full Load	>85%@230Vac Full Load	>83%@230Vac Full Load
Output current ripple (LED)	≤5%			
Accuracy off output current	±7%	±6%	±5%	±5%
Line regulation	±5%			
Load regulation	±3%			
Setup time	<1000ms @ 115Vac full load <500ms @ 230Vac full load			

◇ Protection

Over Load protection	Protection mode: hiccup restart mode, automatic recovery after removal of abnormal load conditions.
Short Circuit Protection	Doze mode, can automatically recover after abnormal conditions are removed.
The input under voltage	/

Remarks:

1. All specifications are tested at 230Vac (50Hz) , rated load, and Ta:25°C.
2. Including setting error, linear adjustment rate and load adjustment rate.
3. Constant current mode operates under rated output voltage of 50%~100%, suitable for LED and other related industries

■ ENVIRONMENT

Working temperature	-30 ~ +55°C (Refer to "Derating Curve")
Working humidity	20 ~ 95% RH, non-condensing
Storage temperature/humidity	-30~+85°C, 10 ~ 95% RH
Resistant to vibration	10 ~ 500Hz, 5G 12min./1cycle, period for 72min. each along X, Y, Z axes
High-pot test	I/P-O/P:1.500KVAC
Insulation resistance	I/P-O/P:100M Ohms / 500VDC / 25°C/ 70% RH
MTBF	470K hrs min. MIL-HDBK-217F (Ta=25°C)

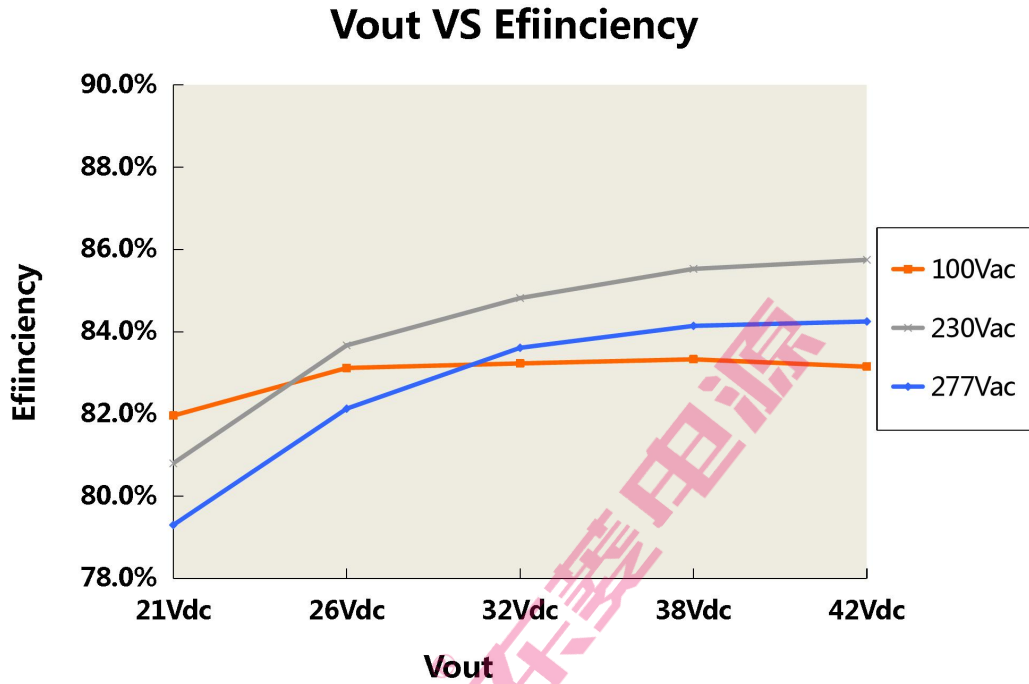
■ SAFETY & EMC

Safety	/
EMC	/
Surge level	difference module L-N Class II +/- 1 KV (2 ohm) (IEC61000-4-5 2014)
Leakage current	<0.7mA

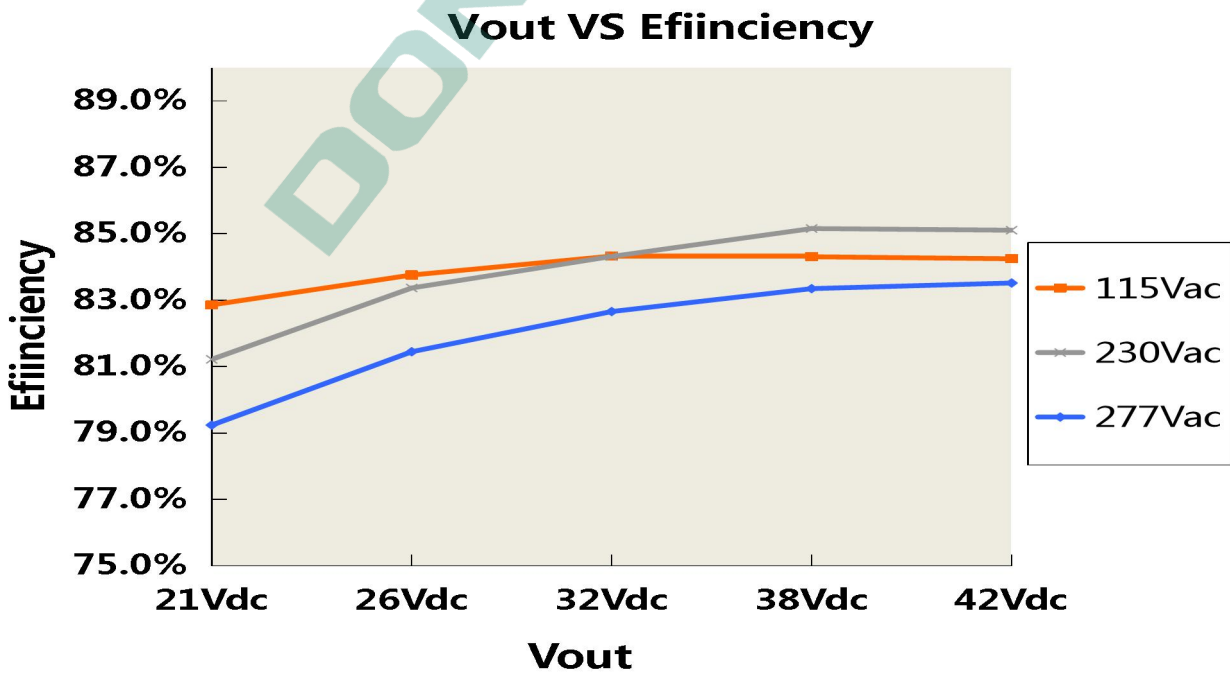
Remarks:

The power supply is considered as a component that will be operated in combination with final equipment. Since EMC performance will be affected by the complete installation, the final equipment manufacturers must re-qualify EMC Directive on the complete installation again.
on the complete installation again.

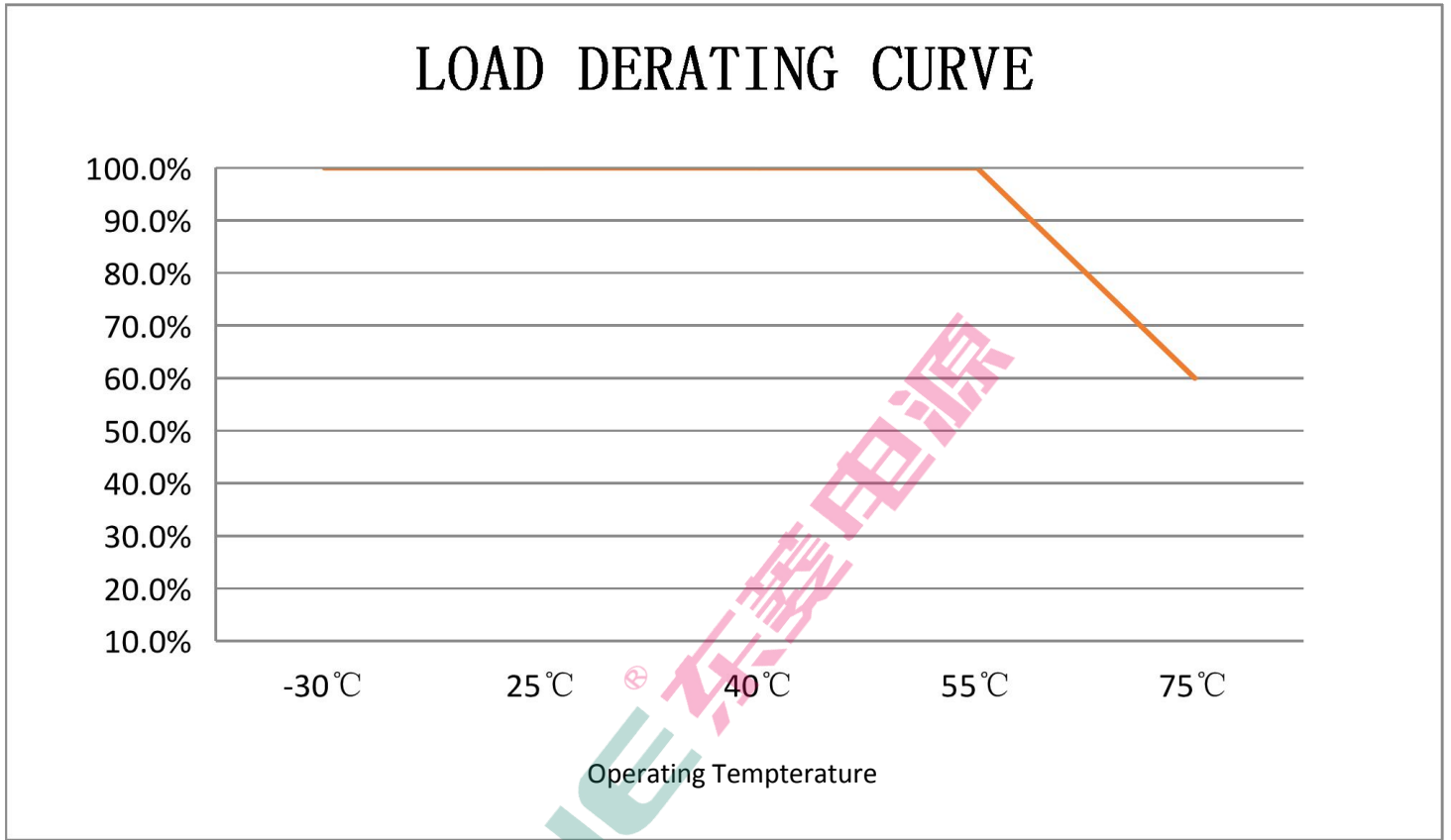
■ Vout VS Efficiency (DL-12W-C300-MPC)



■ Vout VS Efficiency (DL-12W-C300-MPC)



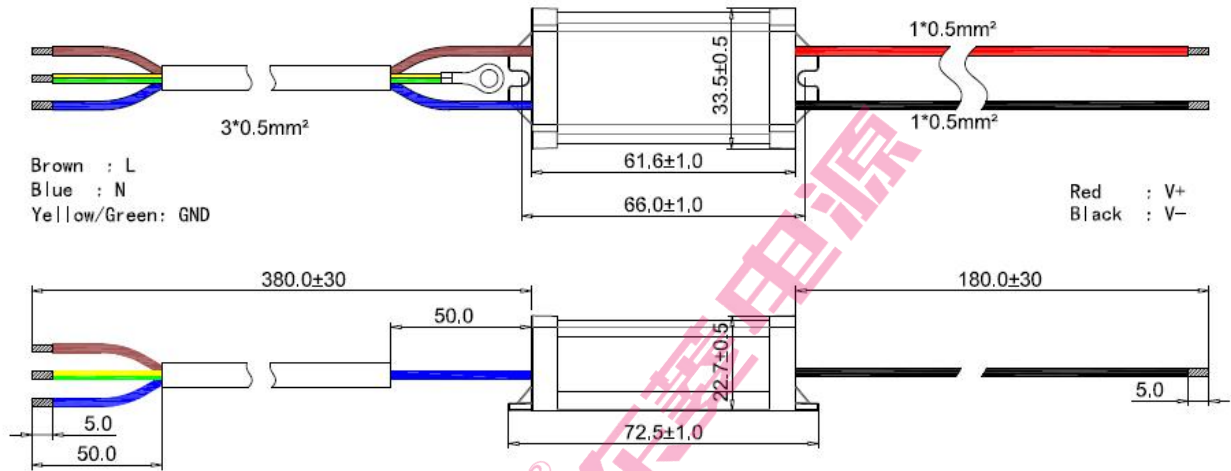
LOAD DERATING CURVE



■ MACHINE SIZE MAP

Size (mm)	L72.5*W33.5*H22.7mm
-------------	---------------------

Case model : 2M10A unit:mm



■ WEIGHT

Weight	86.5g
--------	-------