

The logo for DONE, featuring the word "DONE" in a bold, teal, sans-serif font. The letter "D" is stylized with a circular element on its left side. The logo is enclosed in a thin teal rounded rectangular border.

**DONE**

# MAS SERIES LED DRIVER

---

DL-200H-MAS SPEC V1.0

## Features

- Class I type for insulation
- Input voltage range: 200-277 V ~ 50/60 Hz
- Efficiency :91%(Typ.)
- Constant current output ,with power limitation for control mode
- Metal material case, protection grade against water and dust: IP67
- Surge level:
  - differential mode :6kV,
  - common mode :15kV
- available version :
  - A version: Output current is dimmed by external potentiometer
  - P version: Output current is dimmed by Isolated 3 in 1 dimmer
- guaranteed Lifetime : 5 years



## Applications

Street lighting、 Industrial lighting、 Venue lighting  
 Floodlight lighting、 Landscape lighting 、 Plant lighting



## Model list

Model NO.	Input voltage	Output power	Output voltage	The default current	Eff.	T.H.D	PF
DL-200H-V38A-MAS DL-200H-V38P-MAS	200-277V 50/60Hz	200W	20-38Vdc	6A	≥91%	≤10%	≥0.9
DL-200H-V58A-MAS DL-200H-V58P-MAS	200-277V 50/60Hz	200W	32-58Vdc	4.2A	≥91%	≤10%	≥0.9

- Note :**
1. Test conditions: Ta=25°C , under 230Vac input,after running for 30 minutes with full load .
  2. When the input is less than 165±15Vac,the output power gradually decreases to a half.and it recoveries full power of 200W when the input is above 180VAC again. Please refer to “THE OUTPUT POWER VS INPUT VOLTAGE” curve chart for details.

## Input characteristics

Parameter	Min	Typ.	Max	remark
Rated input voltage	200Vac	230Vac	277Vac	
Input voltage range	180Vac		305Vac	
Rated frequency range	47Hz	50/60Hz	63Hz	
Power factor	-	0.95	-	@230Vac input ,with full load
Power factor	-	0.9	-	@200-277Vac input ,with 75%-100%
T.H.D.	-	-	10%	@230Vac input ,with full load
T.H.D.	-	-	20%	@200-277Vac input ,with 75%-100%
Input current	-	-	1.3A	@200Vac input ,with full load
Inrush current	-	-	120A	230Vac, cold start (25°C)

## Output characteristics

Parameter	Min	Typ.	Max	remark
Rated current				
DL-200H-V38P/A-MAS	-	5.264A	-	With loading 38VDC
DL-200H-V58P/A-MAS	-	3.448A	-	With loading 58VDC
Output current range				
DL-200H-V38P/A-MAS	3.7A	-	6.3A	
DL-200H-V58P/A-MAS	2.4A	-	4.8A	
Output voltage range				
DL-200H-V38P/A-MAS	20V	-	38V	Constant power output range:32-38VDC
DL-200H-V58P/A-MAS	32V	-	58V	Constant power output range:42-58VDC
Available power(90-180Vac)	-	100W	-	Decrease to a half once input voltage being less than 165±15Vac
Rated power(200-277Vac)	-	200W	-	
No-load voltage				
DL-200H-V38P/A-MAS	-	-	55V	
DL-200H-V58P/A-MAS	-	-	75V	
Efficiency@200Vac				
DL-200H-V38P/A-MAS	88%	90%	-	full load@200Vac
DL-200H-V58P/A-MAS	89.5%	91%	-	

Three

## Output characteristics

Parameter	Min	Typ.	Max	Note
Efficiency@230Vac				
DL-200H-V38P/A-MAS	88%	91%	-	@230Vac input ,with full load
DL-200H-V58P/A-MAS	90%	91%		
Accuracy of output current	-5%	-	+5%	For constant-power range , with full load
Line regulation	-3%	-	+3%	full load
Load regulation	-3%	-	+3%	full load
Starting time	-	-	1000ms	Full load@230Vac

**Note:** 1.The output current is limited by the input and output voltage, please refer to “I-V WORKING AREA” for details;

## Dimming characteristics

Dimming function		Min	Typ.	Max	Instructions
1-10V Dimming ( Optional )	Safe operation voltage range	0V	-	12V	Beyond the range maybe lead to a failure of the driver.
	Rated operation voltage range	1V	-	10V	Negative logic dimming mode is also available by program
	Dimming output range	10%	-	100%	0% is only for positive logic dimming by program.
PWM Dimming ( Optional )	PWM high level	9.5V	-	10.5V	-
	PWM low level	0V	-	0.5V	-
	Rated dimming frequency	300Hz	-	2000Hz	-
	PWM duty cycle	10%	-	99%	Negative logic dimming mode Is also available by program
Resistor Dimming ( Optional )	Rated external resistance value	10KΩ	-	100KΩ	Bigger resistor won't increase the output.
	Dimming output range	10%	-	100%	Negative logic dimming mode Is also available by program
Multiple time-controlled dimming ( Optional )	MCU control	set dimming function Segment by segment through program		three operation modes for selection.	
	Timer control	The default is six segments, Can be customized. 24H a cycle.		With extra timer controller outside.	

**Note:**

1. Output current of dimming port: 100uA (typical value);
2. The maximum operation voltage for the dimming port is 12V. Wrong voltage beyond the range or a reverse connection may lead to a critical failure of the driver.
3. When over-temperature protection happens, the threshold of output power(or output current) for dim-off and turn-on will keep the same as that in normal condition. Since the output power has been decreased to a half of normal condition, the dimming signal from the port need to be doubled to meet the same threshold as a result. Only for P version.
4. Dim -off function is available only for positive logic dimming mode of P version. Please consult the technician for details if you have other requirements.
5. All these drivers will not work in the no-load mode.

**Protections**

Protection	description
under-voltage protection	When the input voltage is less than 165±15Vac, the output power decreases.
Output over-voltage protection	hiccup mode,and recovers automatically when the fault condition is removed.
Output short circuit protection	Hiccup mode,and recovery automatically when the fault condition is removed.
Over temperature protection	when the temperature of the case is greater than 95±5℃, the output power decreases to a half.
Output over-power protection	The maximum output power is limited to about 1.1 time of the rating automatically. Only for P version

**Note:**

1. Unless otherwise specified, all parameters should be measured at the condition of 230Vac (50Hz) input ,with rated load ,and ambient temperature of 25℃;

**Environmental characteristics**

Environmental categories	Parameter
Working temperature	-40 ~ +55℃
Working humidity	20 ~ 95% RH
Storage temperature, humidity	-40~+80℃, 10 ~ 95% RH
Resistant to vibration	10 ~ 500Hz, 5G 12 min/cycle, X, Y, Z axis 72 min each
MTBF	230Khrs min. MIL-HDBK-217F (Ta=25℃)
Lifetime	50000 hours @Tcase=75℃,refer to" <b>Tcase VS Lifetime</b> " curve

## Safety and EMC

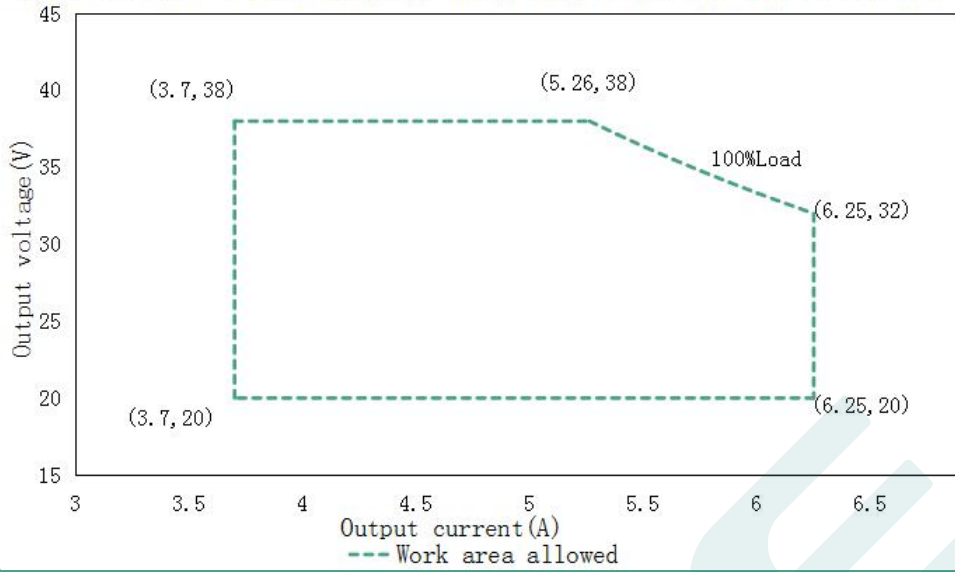
Safety categories	Standard
Safety	GB19510.1、GB19510.14、EN61347-1、EN61347-2-13、IEC61347-1、IEC61347-2-13、AS/NZS61347.1、AS61347.2.13、EN 62384;
EMC	EN 55015、EN 61547、EN 61000-3-2、GB/T 17743、GB17625.1、EN 61000-3-3
Surge leve	Differential mode L-N $\pm 6KV$ ( 2 ohm ) ,common mode L, N-PE $\pm 15KV$ ( 12 ohm ); Refer to IEC61000-4-5 2014 Criterion B
High-pot test	I/P-O/P:3.75KVac I/P-PE :1.5KVac O/P-PE : 0.5KVac I/P-DIM:3.75KVac O/P-DIM:1.5KVac
Insulation impedance	I/P-PE:100M $\Omega$ / 500VDC; I/P-O/P:100M $\Omega$ / 500VDC / 25 $^{\circ}C$ / 70% RH
Leakage current	<0.7mA@277Vac

**Note:**

1.Attention! As a component of the whole, the EMC performance of the final product is not only decided by the driver, even if the driver is well-designed and fulfil all the required compliance. The final equipment manufacturers must re-qualify EMC Directive on the complete product.

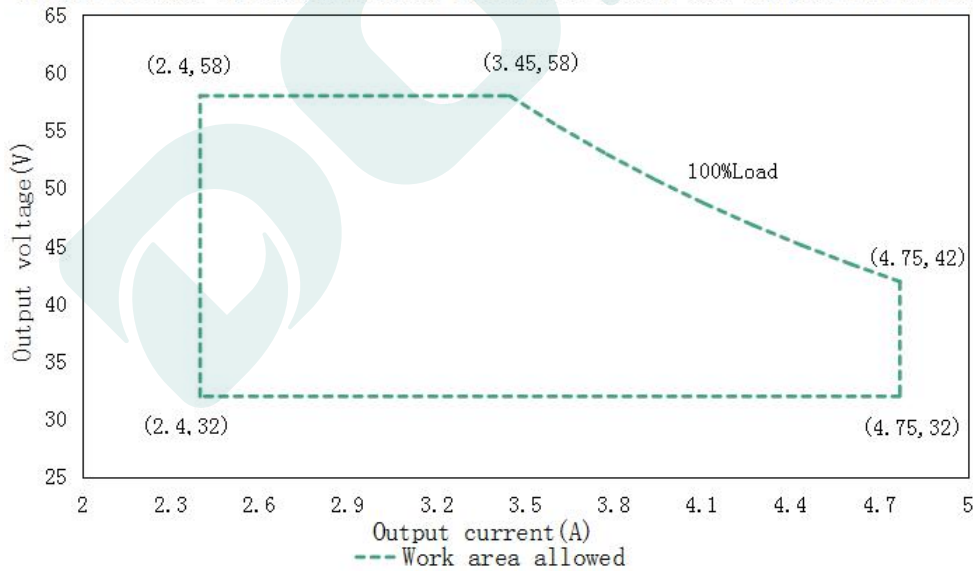
## I-V Working area

Output voltage VS output current of DL-200H-V38A/P-MAS (input: 200-277Vac)



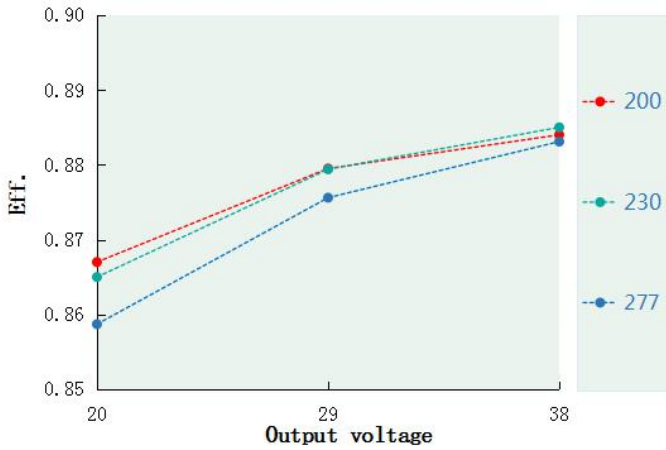
Load	Output								
Load working Voltage	20V	23V	26V	29V	31V	32V	34V	36V	38V
Io_MAX	6.25A	6.25A	6.25A	6.25A	6.25A	6.25A	5.88A	5.56A	5.26A
Po_MAX	125W	143.7W	162.5W	181.2W	193.7W	200W	200W	200W	200W

Output voltage VS output current of DL-200H-V58A/P-MAS (input: 200-277Vac)

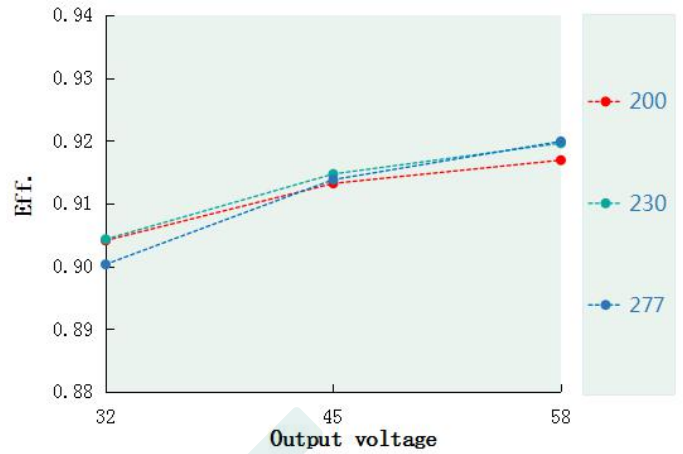


Load	Output								
Load working Voltage	32V	34V	36V	38V	40V	42V	48V	54V	58V
Io_MAX	4.75A	4.75A	4.75A	4.75A	4.75A	4.75A	5.88A	5.56A	3.45A
Po_MAX	152W	161.5W	171W	180.5W	190W	200W	200W	200W	200W

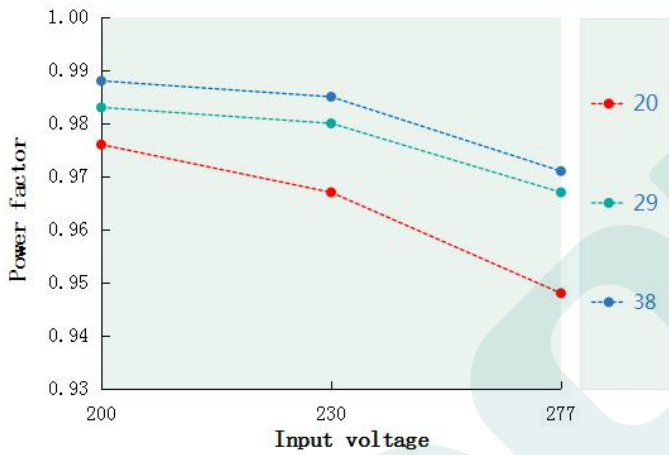
Eff. VS Output voltage(DL-200H-V38P/A-MAS)



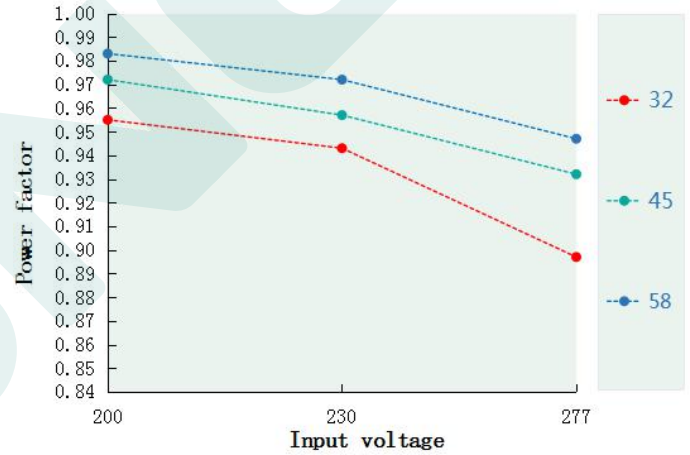
Eff. VS Output voltage(DL-200H-V58P/A-MAS)



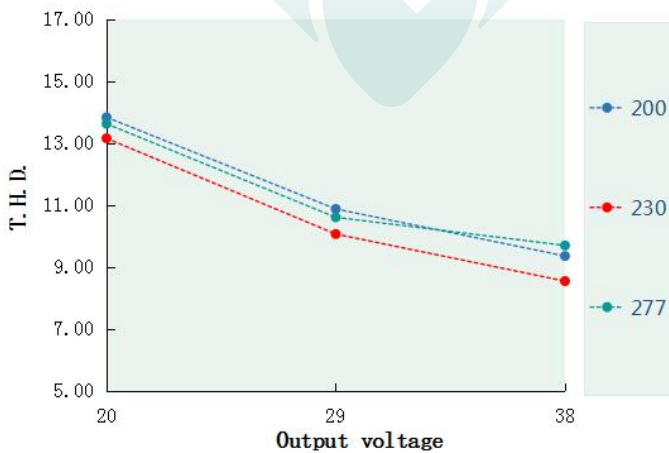
Power factor VS Input voltage(DL-200H-V38P/A-MAS)



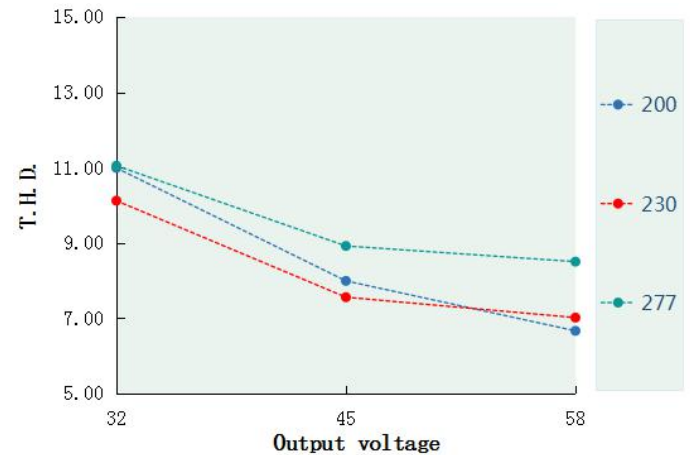
Power factor VS Input voltage(DL-200H-V58P/A-MAS)



T.H.D. VS Output voltage(DL-200H-V38P/A-MAS)

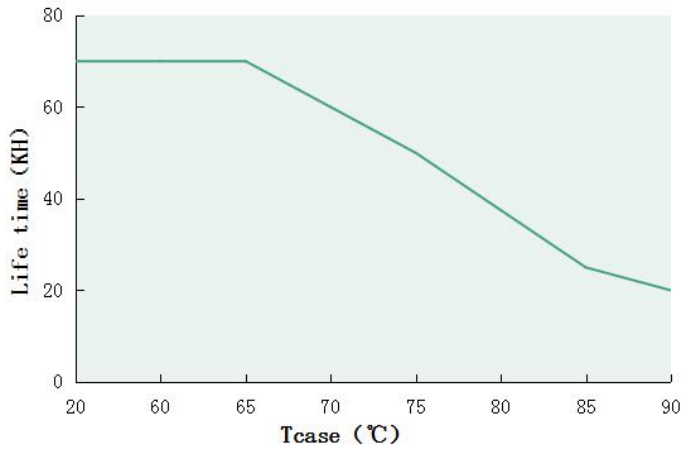


T.H.D. VS Output voltage(DL-200H-V58P/A-MAS)

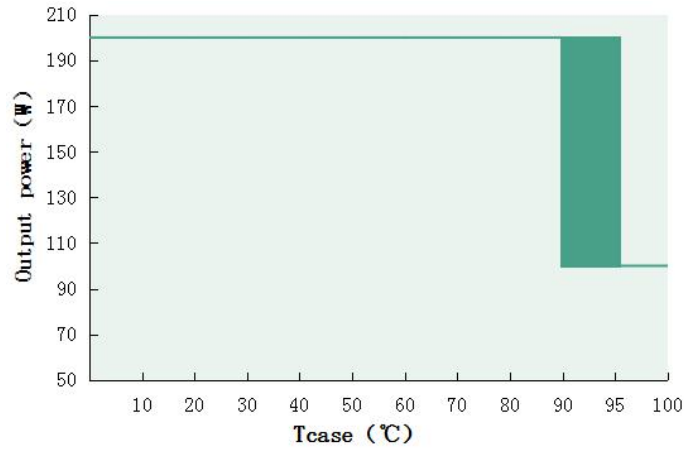




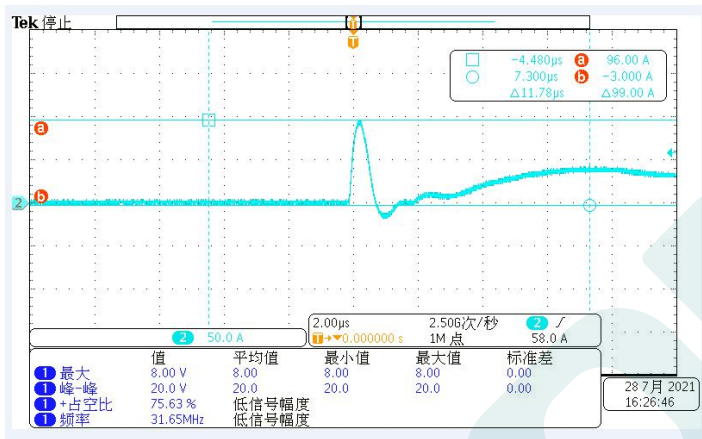
**Tcase VS Life time(DL-200H-P/A-MAS)**



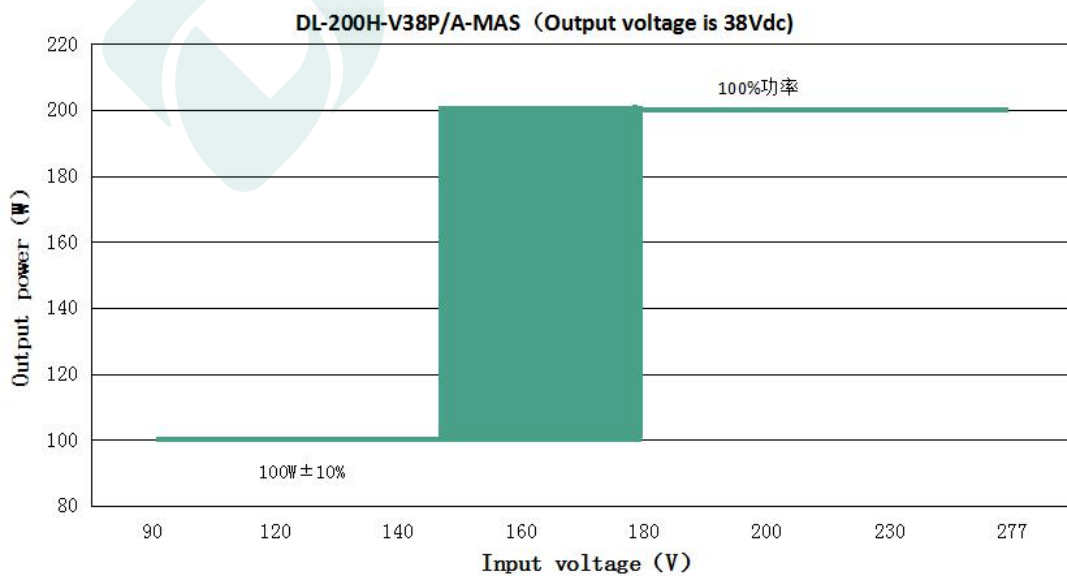
**Output power VS Tcase (DL-200H-P/A-MAS)**



**Surge curve(DL-200H-P/A-MAS)**



**Output power VS Input voltage**



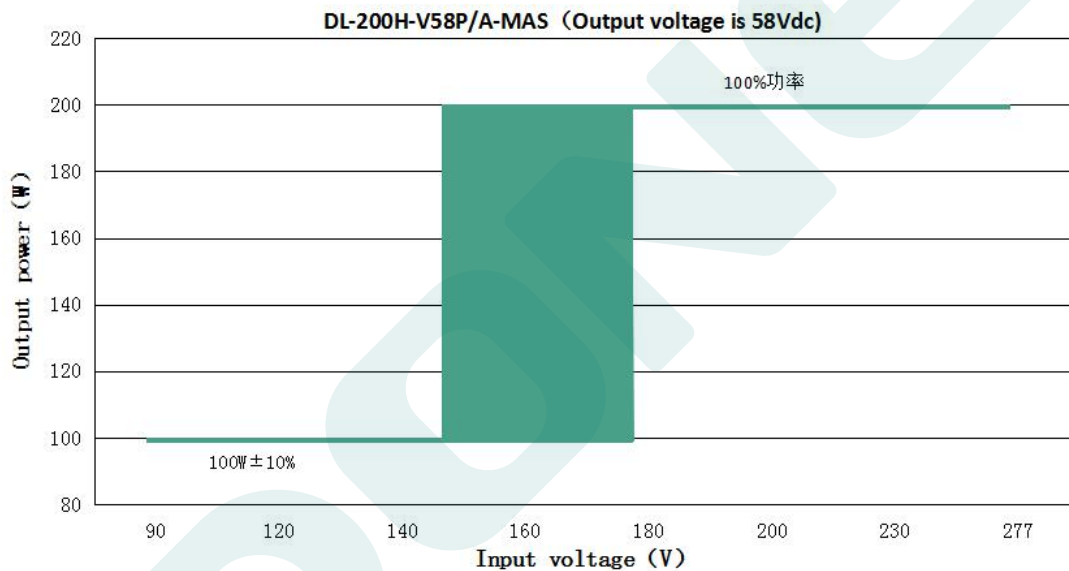
**DL-200H-V38P-MAS (For output 38Vdc, the rated output current & power under different input voltage)**

Input Voltage	100Vac	120Vac	150Vac	180Vac	200Vac	230Vac	264Vac	277Vac
Iout	2.63A	2.63A	2.63A	5.26A	5.26A	5.26A	5.26A	5.26A
Pout	100W	100W	100W	200W	200W	200W	200W	200W

**Note:**

1. When the input voltage is below 165±15Vac, the output power decreases to 100W±10%.

**Output power versus Input voltage**



**DL-200H-V58P-MAS (For output 58Vdc, the rated output current & power under different input voltage)**

Input Voltage	100Vac	120Vac	150Vac	180Vac	200Vac	230Vac	264Vac	277Vac
Iout	1.725A	1.725A	1.725A	3.449A	3.449A	3.449A	3.449A	3.449A
Pout	100W	100W	100W	200W	200W	200W	200W	200W

**Note:**

1. When the input voltage is below 165±5Vac, the output power decreases to 100W±10%.

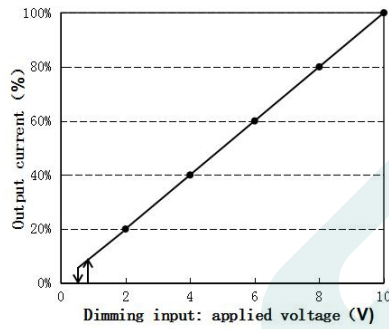
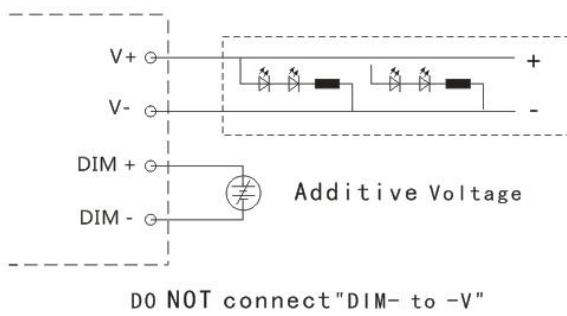
## Dimming function

### ※ Three-in-one dimming function (P version only)

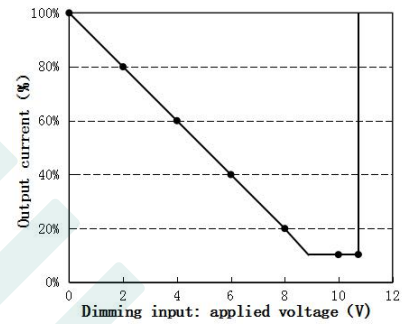
A. To adjust the output current, applying one of the three methods between DIM+ and DIM- : a resistor of 0-100K, or any voltage of 0-10V , or a PWM signal with amplitude of 10V. .

B. output current of dimming port: 100uA (typical value).

#### ◎ With 1-10V dimming voltage(for both logic,negative and positive):

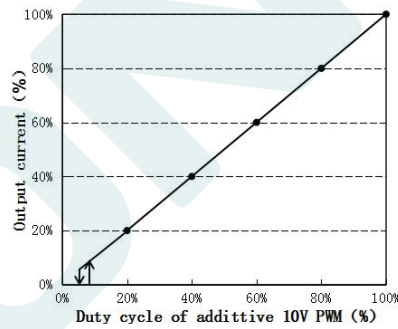
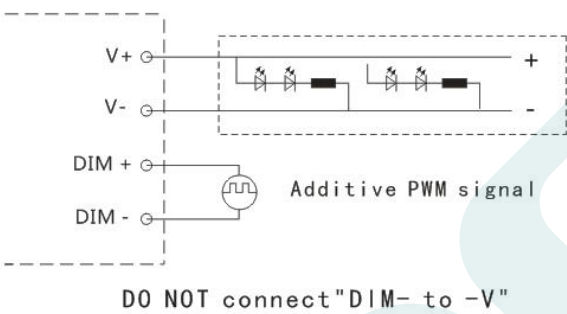


Positive logic dimming curve

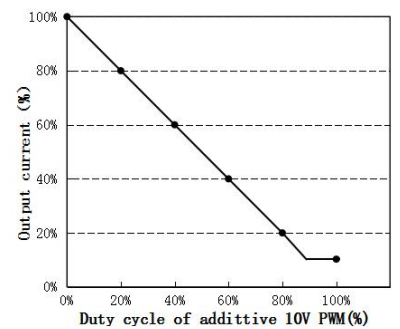


Negative logic dimming curve

#### ◎ With 10V PWM signal (Frequency range: 300Hz-2K Hz) :

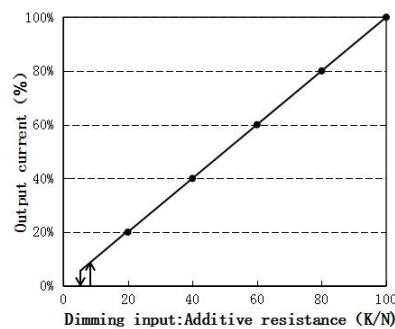
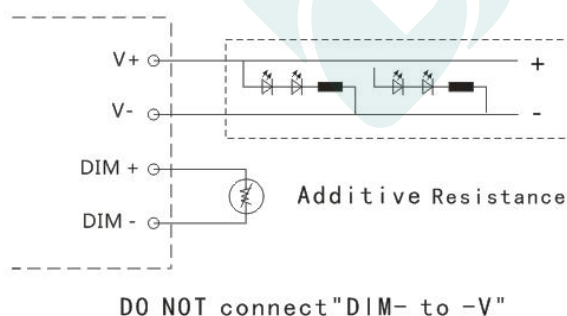


Positive logic dimming curve

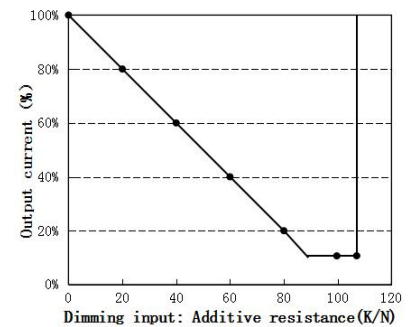


Negative logic dimming curve

#### ◎ With an additional 0-100K resistor:



Positive logic dimming curve



Negative logic dimming curve

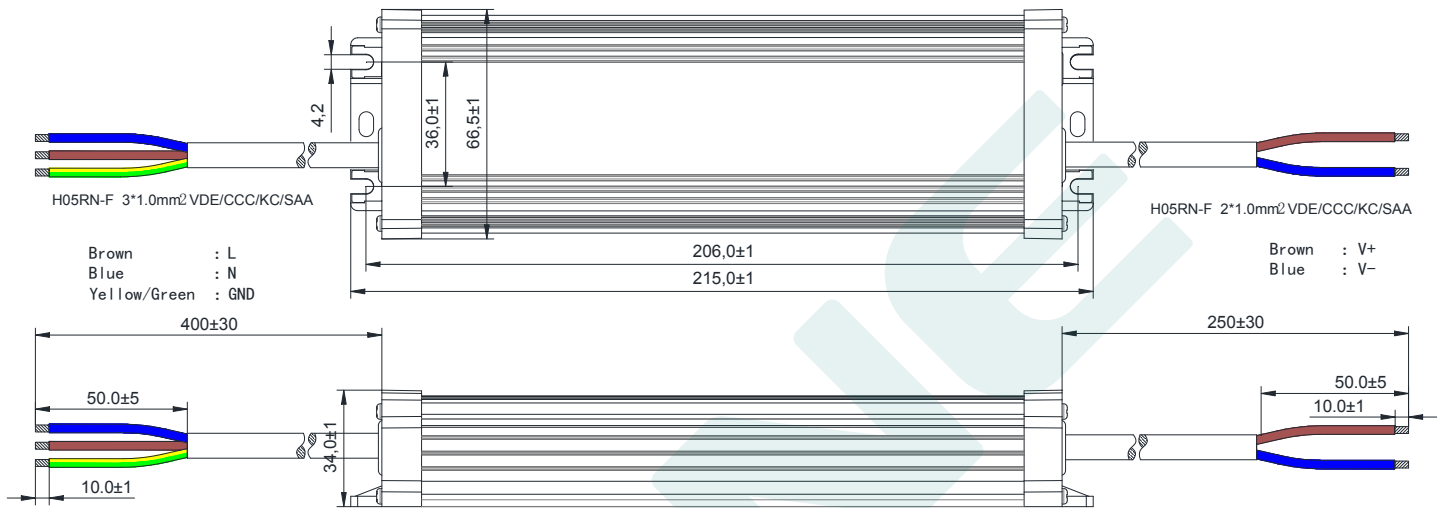
#### Remark:

1. Both operation way, of positive logic or negative logic, can be selected by program.
2. Dim -off is only available for positive logic dimming .Other requirements need to contact with the technician for help.

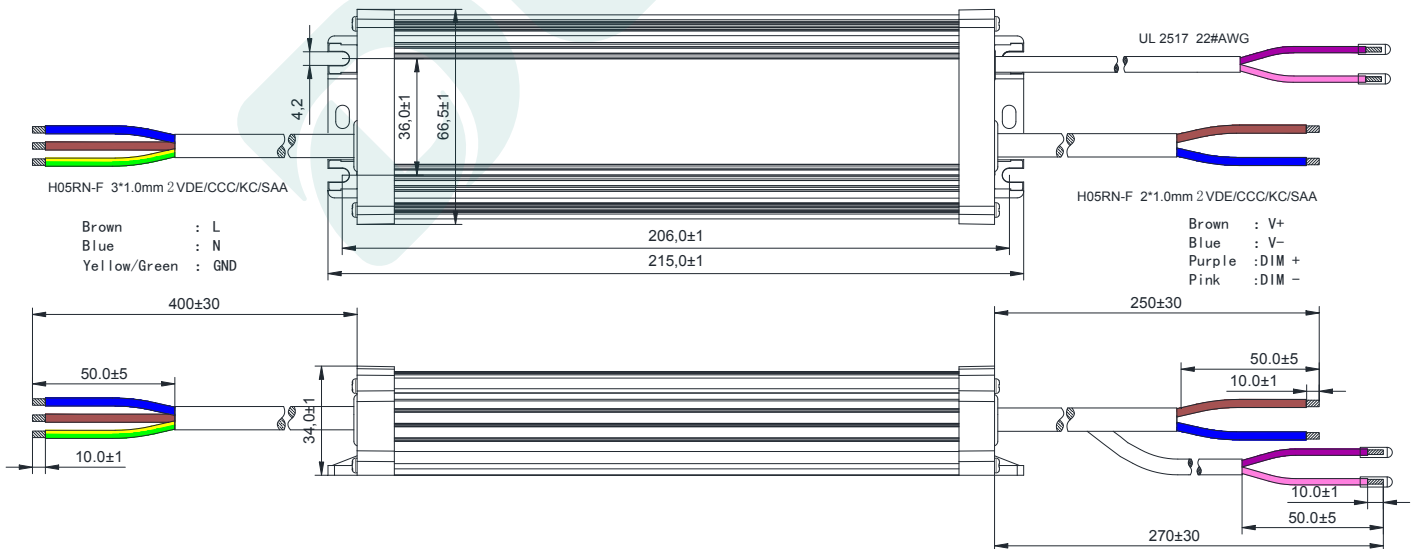
## Mechanical specification

Size (mm) L215mm\*W66.5mm\*H34mm

### Dimension drawing DL-200H-V38A-MAS DL-200H-V58A-MAS



### Dimension drawing DL-200H-V38P-MAS DL-200H-V58P-MAS



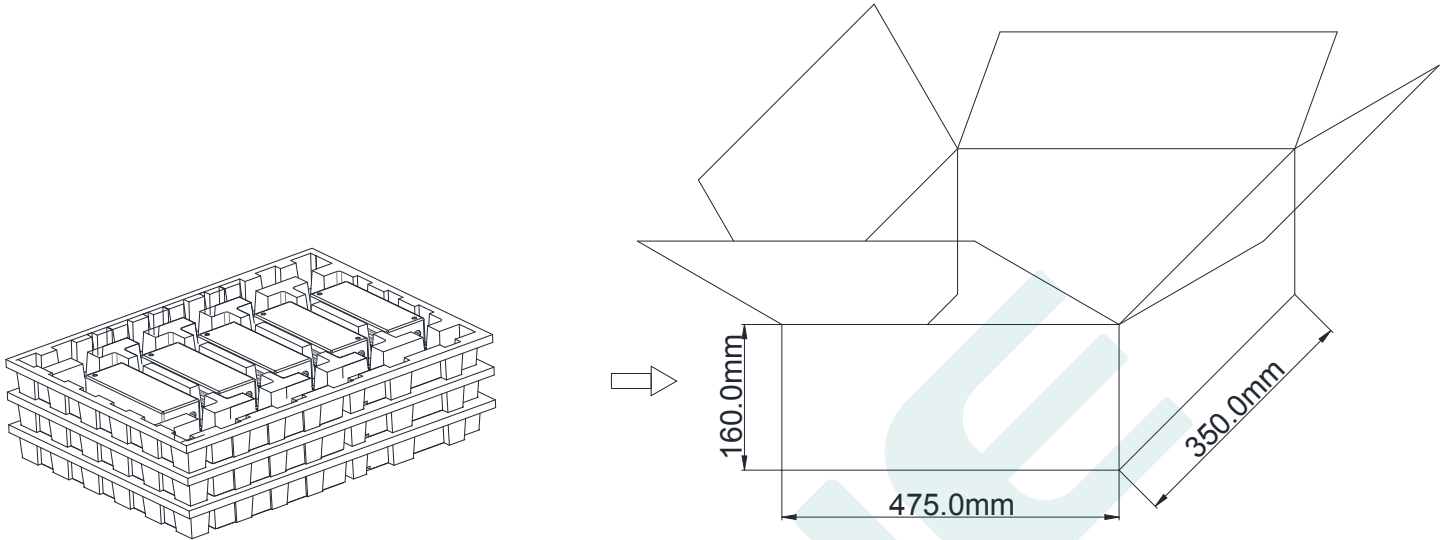
## Weight

Weight 790g

Twelve

## Packaging

Packaging (mm) L475\*W350\*H160



Note: One Carton 3 layers and 5 pcs each layer, total 15pcs/carton.

**Note:**

1. According to the qualified certificate of the LED DRIVER, that with English label is for sale in Europe, America and India.
2. That with Chinese label are used for Chinese market.

**Version**

DATE	DESCRIPTION	REV.	CHECK
2022.3.30	Initial version.	V1.0	

**MANUFACTURER**

EDIT	CHECK	APPROVE