

The logo for DONE, featuring the word "DONE" in a bold, teal, sans-serif font. The letter "D" is stylized with a white circular element on its left side. The logo is contained within a white rounded square with a thin teal border.

SPF SERIES LED DRIVERS

DL-240W-SPF SPEC V1.6

Features

- Class I structure
- Input voltage: 120-277V ~ 50/60Hz
- Efficiency :95% (Typ.)
- Constant power drive and constant current output control mode
- Metal shell structure, protection grade: IP65
- Lightning protection level: differential mode 4kV, Common mode 4kV
- When the dimming signal input is 0V, 0%, and 0KΩ, standby power consumption is less than or equal to 0.5W.(X version only)
- Function selection:
 Output current is adjusted by external potentiometer (A version only)
 Isolated 3 in 1 dimming (0-10V, PWM, Resistor)(S/X version only)
 Isolated Auxiliary Power (X version only) : Output 12V200mA to User.
- Lifetime design: 5 years



Applications

Road lighting、Industrial lighting、Venue lighting
 Floodlight lighting、Landscape lighting 、Plant lighting

Model list

Model NO.	Input voltage	Output power	Output voltage	The default current	Eff.	THD.	PF
DL-240W-V260A-SPF	120-230V 50/60Hz	240W	180-260Vdc	0.92A	≥95%	≤10%	≥0.95
DL-240W-V260S- SPF							
DL-240W-V260X- SPF							

Note :

1. Test conditions of the above parameters: Ta=25℃, 230Vac input, full load operation for 30 minutes;
2. For 120-277Vac input, the rated power is 240W. Please ensure that the input voltage is within the allowable range.

Refer to “THE OUTPUT POWER VS INPUT VOLTAGE” curve chart for details.

Input characteristics

Parameter	Min	Typ.	Max	Note
Rated input voltage	120Vac	230Vac	277Vac	-
Input voltage range	108Vac	-	305Vac	-
Rated frequency	47Hz	50/60Hz	63Hz	-
Power factor	-	0.95	-	Full load, rated input voltage of 120-230Vac
	-	0.92	-	Full load, rated input voltage of 277Vac
T.H.D.	-	-	10%	100% load, 120Vac/60Hz, 230Vac/50Hz input
	-	-	20%	80%-100% load, 277Vac/60Hz input
Input current	-	-	2.5A	@120Vac full load
Inrush current	-	-	120A	230Vac, cold start (25°C)

Output characteristic

Parameter	Min	Typ.	Max	Note
Rated current DL-240W-V260A/S/X -SPF	-	0.92A	-	-
Output current range DL-240W-V260A/S/X -SPF	0.75A	-	1.25A	-
Output voltage range DL-240W-V260A/S/X -SPF	180V	-	260V	-
Constant power output voltage range	200V	-	260V	Maximum output power 240W
Constant current output voltage range	180V	-	260V	Maximum output current 1.25A
No-load voltage DL-240W-V260A/S/X -SPF	-	-	300V	-
Efficiency@120Vac DL-240W-V260A/S/X -SPF	-	92%	-	full load

Output characteristic

Parameter	Min	Typ.	Max	Note
Efficiency@230Vac DL-240W-V260A/S/P/X - SPF	-	95%	-	full load@230Vac
Accuracy of output current	-5%	-	+5%	full load
Ripple of output current	-	+5%	-	full load
Line regulation	-3%	-	+3%	full load
Load regulation	-3%	-	+3%	full load
Starting time	100ms	-	3000ms	full load @120-277Vac

Note: 1.The output current range is limited by the input and output Voltage, Please refers to “I-V WORKING AREA” for details;

Dimming Characteristic

Dimming function		Min	Typ.	Max	Instructions
0-10V Dimming (Optional)	Safe applied voltage range	0V	-	12V	When the external voltage is $\geq 12V$, the dimming will fail
	Dimming output range	0	-	100%	-
	Rated dimming voltage range	0	-	10V	-
PWM Dimming (Optional)	PWM high level	9.5V	-	10.5V	-
	PWM low level	0	-	0.3V	-
	PWM frequency band	300Hz	-	2000Hz	-
	PWM duty cycle	0	-	100%	-
Resistor Dimming (Optional)	External resistance value	0K Ω	-	100K Ω	-
	Dimming output range	0	-	100%	-

Note:

1. Output current of dimming port: 100uA (typical value);
2. The maximum withstand voltage of the dimming port is 12V. If the external power supply voltage exceeds 12V or the signal line is reversely connected, the power supply will be damaged ;

Protection

Function	Function instructions
Output overload protection	Protection mode: hiccup mode, recovers automatically after fault condition is removed.
Output short circuit protection	Hiccup mode: recovers automatically after fault condition is removed
Over temperature protection	Self-recovery type: when the housing temperature is greater than 90°C, the output power decreases gradually.
Output over-voltage protection	Protection mode: Hiccup mode or clamped in output highest voltage , the product is not damaged, LED driver works normally after fault condition is removed.

Note:

1. Unless otherwise specified, all specifications and parameters shall be measured at the conditions of 230Vac (50Hz), rated load and 25°C of ambient temperature;
2. Including setting error, line regulation and load regulation.

Environmental

Environmental categories	Parameter
Working temperature	-40 ~ +55°C @120-277Vac (refer to "Life Curve ")
Working humidity	20 ~ 95% RH, non-condensing
Case Temp	90°C
Storage temperature、 humidity	-40~+80°C, 10 ~ 95% RH
Resistant to vibration	10 ~ 500Hz, 5G 12 min/cycle, X, Y, Z axis 72 min each
MTBF	100Khrs min. MIL-HDBK-217F (Ta=25°C)
Lifetime	70,000 hours @Tcase≤75°C, Please refer to "Tcase VS Lifetime" section

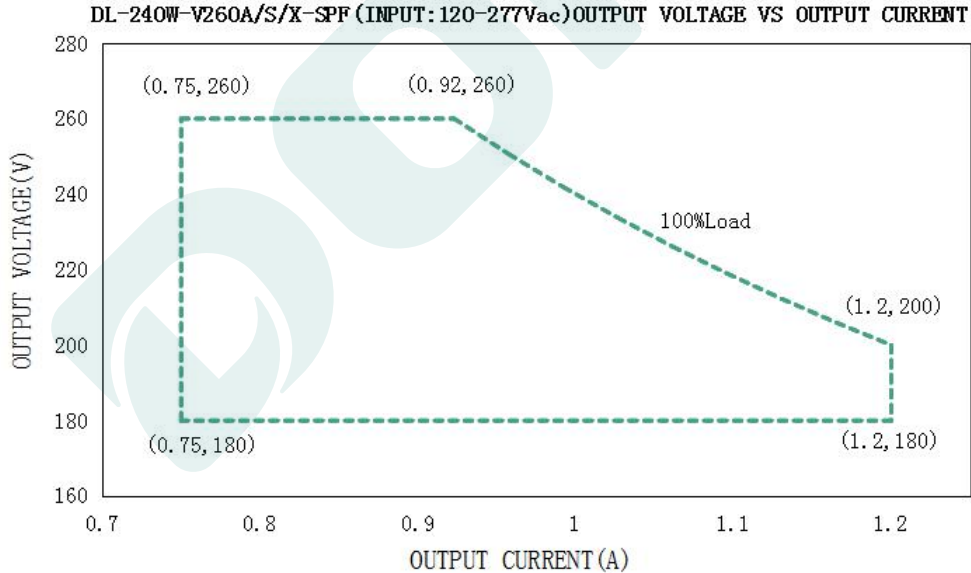
Safety and EMC

Safety categories	Standard
Safety	GB19510.1、GB19510.14、EN61347-1、EN61347-2-13、IEC61347-1、IEC61347-2-13、AS/NZS61347.1、AS61347.2.13、EN 62384、UL8750;
EMC	EN 55015、EN 61000-3-2 、GB/T 17743、GB17625.1、 EN 61000-3-3
Surge protection	Differential L/N ± 4 KV (2Ω), Common L/N-地± 4 KV (12Ω) Refer to IEC61000-4-5 2014
High-pot test	I/P-PE :1.5KVac I/P-DIM:1.5KVac
Insulation impedance	I/P-PE:100MΩ / 500VDC; 25℃/ 70% RH
Leakage current	< 0.7mA @277Vac

Note:

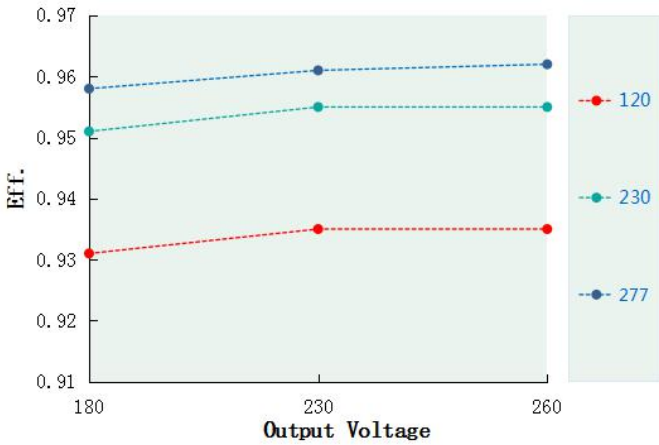
- 1.The driver is considered as a component that will be operated in combination with the final equipment. Since EMC performance will be affected by the complete installation, the final equipment manufacturers must re-qualify EMC Directive on the complete installation again.
- 2.Because the driver will be in OVP restart model when it works in no-load, so the driver on-load is recommended.

I-V Working area

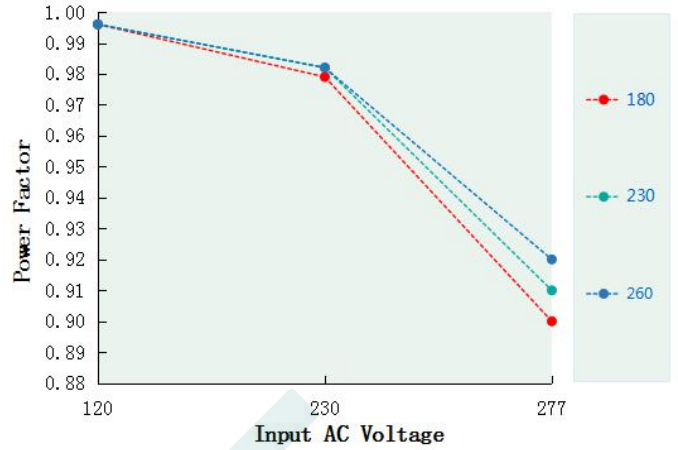


Load	Output								
Load working Voltage	180V	190V	200V	210V	220V	230V	240V	250V	260V
Io_MAX	1.2A	1.2A	1.2A	1.14A	1.09A	1.04A	1.0A	0.96A	0.92A
Po_MAX	216W	228W	240W	240W	240W	240W	240W	240W	240W

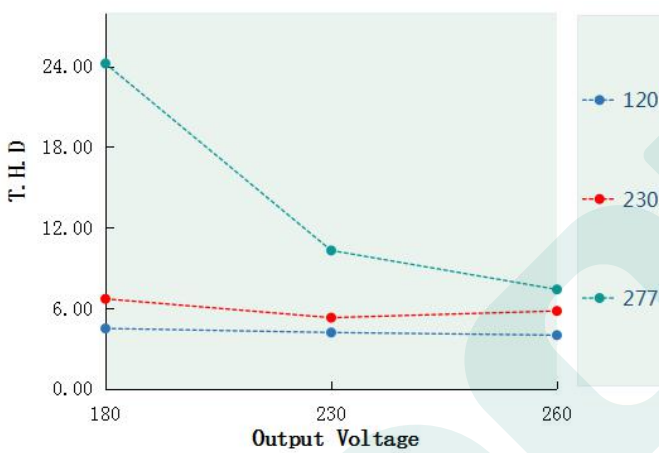
Eff. VS Output voltage (DL-240W-V260A/S/X -SPF)



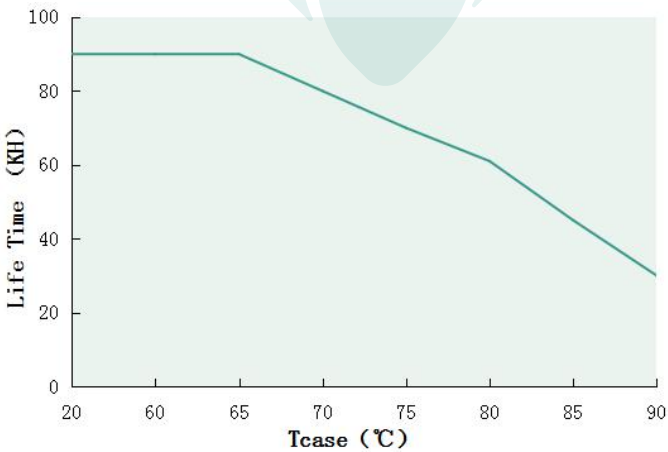
Power Factor VS Input AC Voltage (DL-240W-V260A/S/X -SPF)



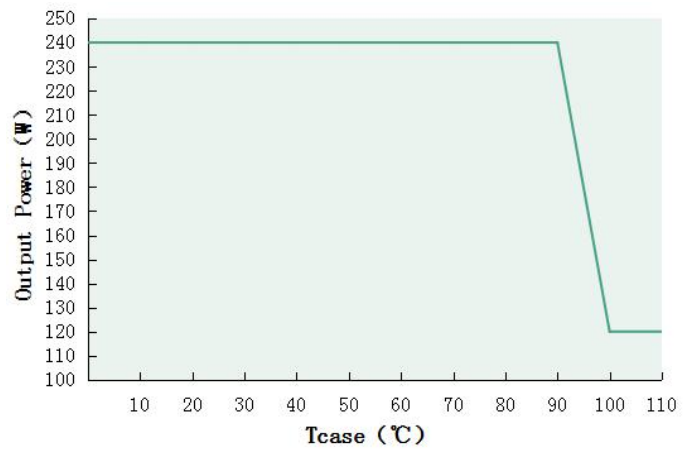
T.H.D. VS Output voltage (DL-240W-V260A/S/X -SPF)



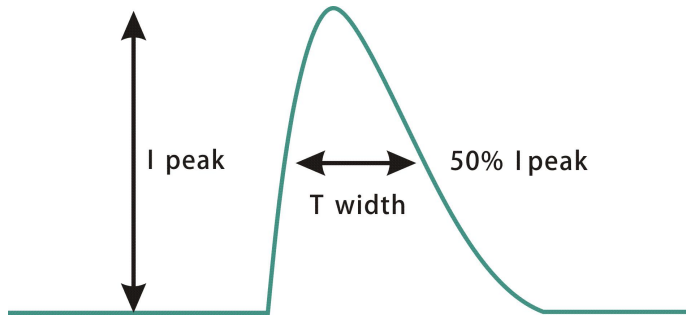
T case VS Lifetime (DL-240W-V260A/S/X -SPF)



Output power VS T case (DL-240W-V260A/S/X -SPF)

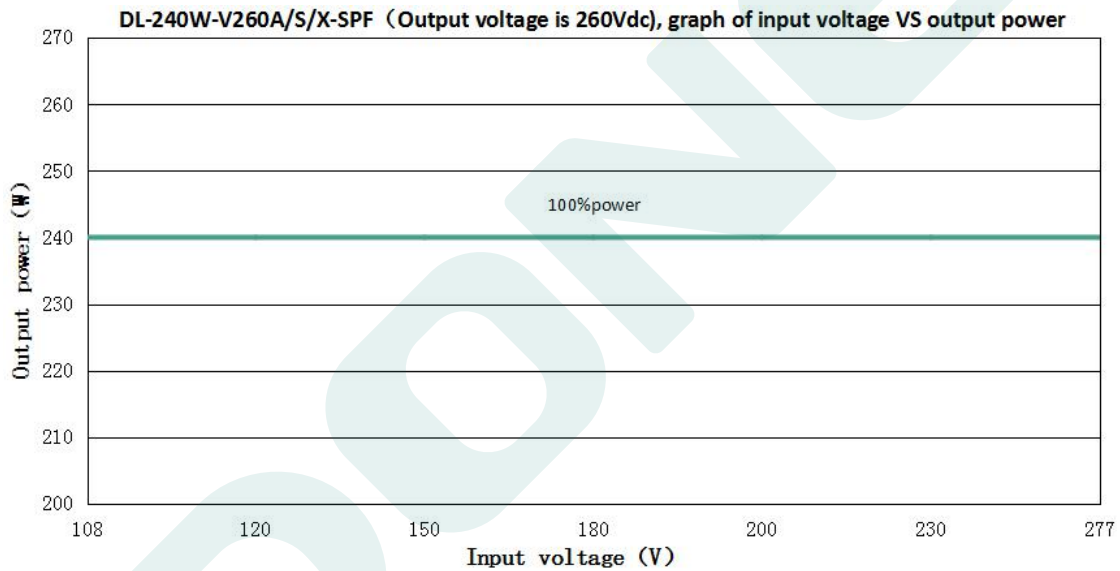


Inrush Current(DL-240W-V260A/S/X -SPF)



Input voltage	Peak current	T(@50% Peak current)
120Vac	46A	184us
230Vac	81A	233us
277Vac	97A	254us

Output power VS Input voltage



DL-240W-V260A/S/X-SPF AC-Vin VS Output Voltage(Vo=260Vdc) VS Output Power

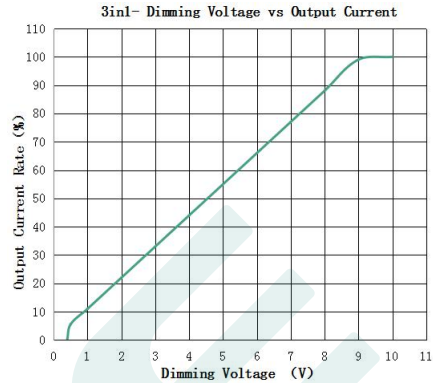
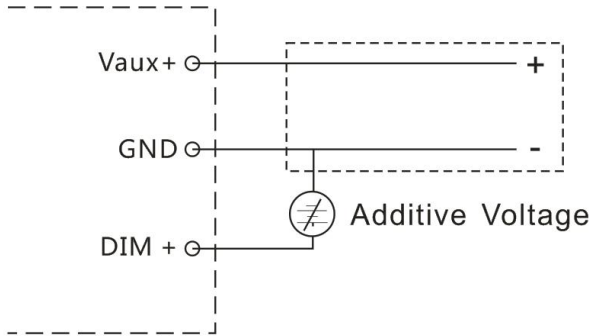
Input Voltage	108Vac	120Vac	150Vac	180Vac	200Vac	230Vac	277Vac
I out	0.92A	0.92A	0.92A	0.92A	0.92A	0.92A	0.92A
Pout	240W	240W	240W	240W	240W	240W	240W

Dimming operation

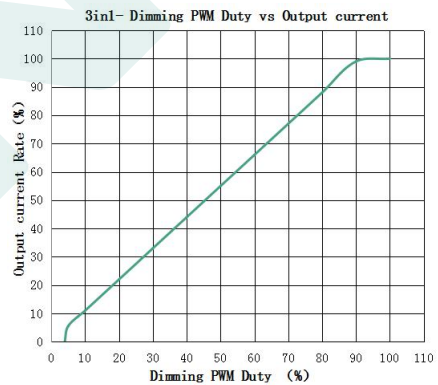
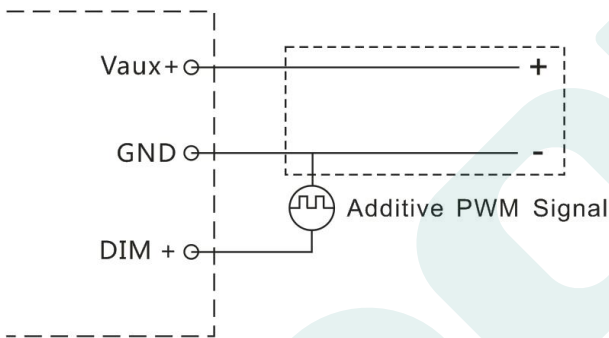
※ **Three-in-one dimming function (S/X version only)**

- A. Connect a resistor 0-100K or 0-10V DC voltage or 10V PWM signal between DIM+ and GND to adjust the output current.
- B. Output current of dimming port: 100uA (typical value).

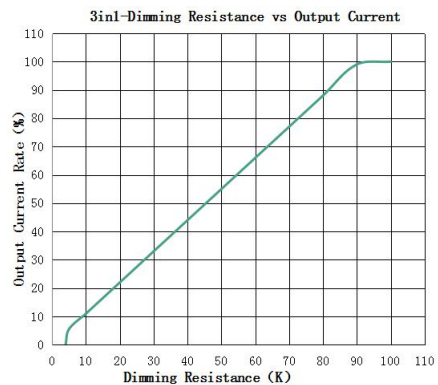
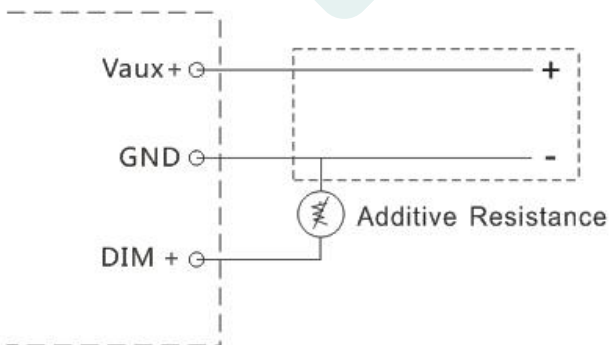
◎ **Applied voltage of 0-10V:**



◎ **Applying additive 10V PWM signal (Frequency range: 300Hz-2KHz) :**



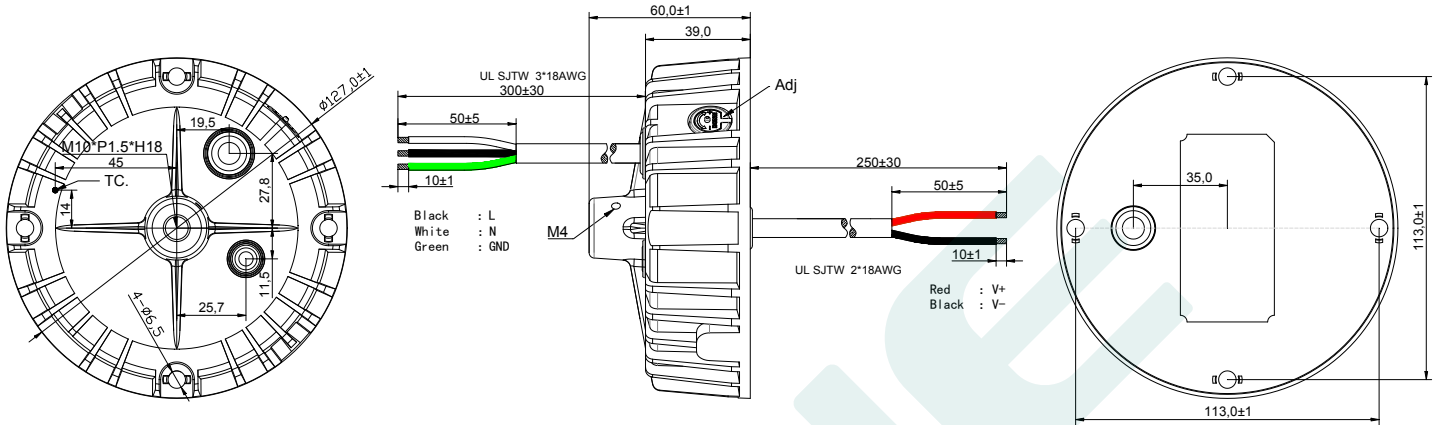
◎ **Applied an additional 0-100K resistor:**



Mechanical Specification

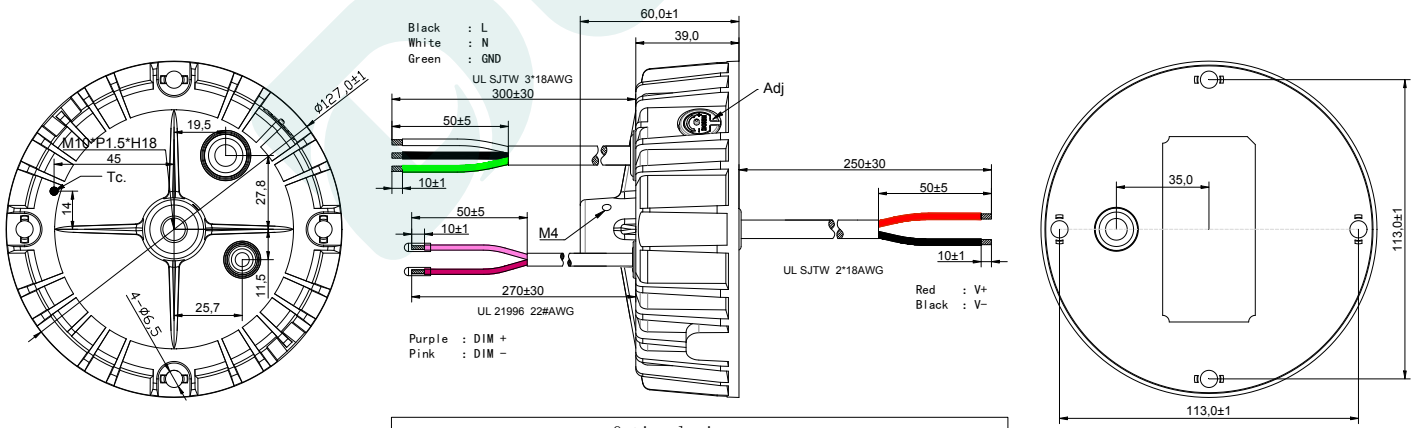
Dimension (mm) $\phi 127 \times H60$

DL-240W-V260A-SPF



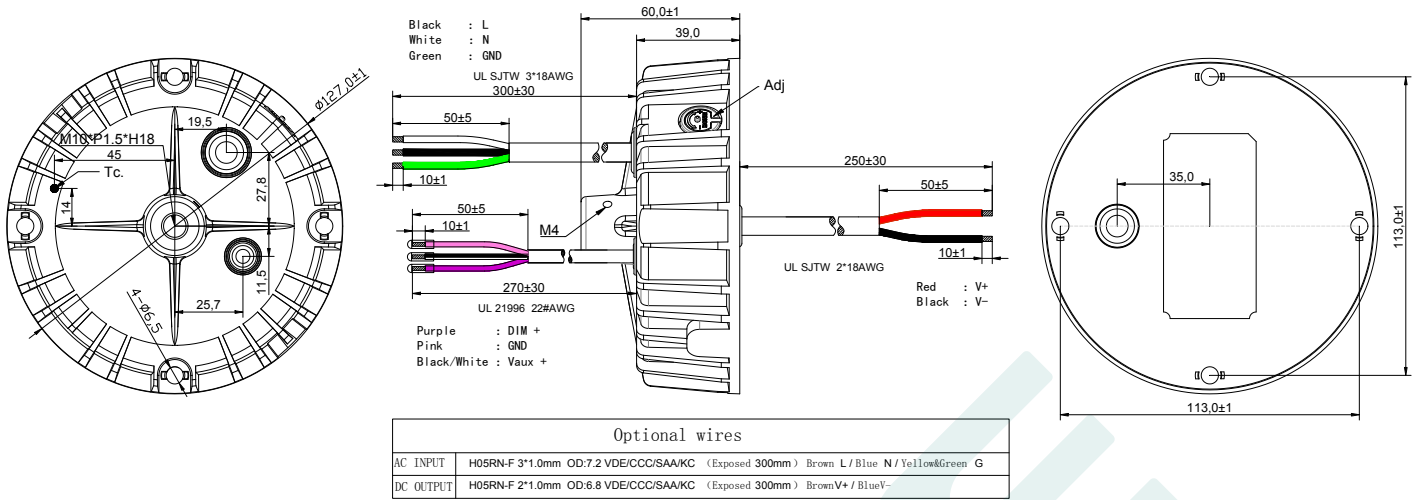
Optional wires	
AC INPUT	H05RN-F 3*1.0mm OD:7.2 VDE/CCC/SAAKC (Exposed 300mm) Brown L / Blue N / Yellow&Green G
DC OUTPUT	H05RN-F 2*1.0mm OD:6.8 VDE/CCC/SAAKC (Exposed 300mm) BrownV+ / BlueV-

DL-240W-V260S- SPF



Optional wires	
AC INPUT	H05RN-F 3*1.0mm OD:7.2 VDE/CCC/SAAKC (Exposed 300mm) Brown L / Blue N / Yellow&Green G
DC OUTPUT	H05RN-F 2*1.0mm OD:6.8 VDE/CCC/SAAKC (Exposed 300mm) BrownV+ / BlueV-

DL-240W-V260X- SPF



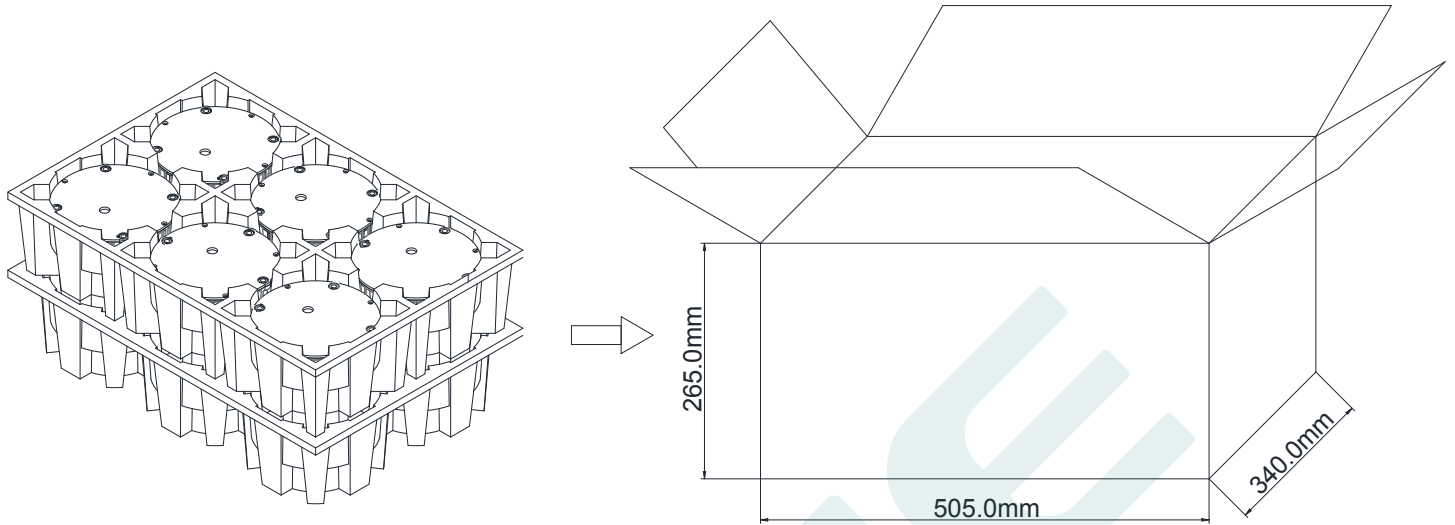
Weight

Weight	856 g
--------	-------

Packaging

BOX (mm)

L505*W340*H265



Note: One Carton 2layers and 6 pcs each layer, total 12pcs/carton.

Note:

1. According to the certificate obtained by the LED DRIVER, the LED DRIVER with the English label is sold in Europe, America and India.
2. The LED DRIVER with Chinese label is only used for China market.



Revise & Version

DATE	DESCRIPTION	REV.	CHECK
2022.3.22	Initial version.	V1.0	
2022.4.12	Add input Inrush Current	V1.1	
2022.4.25	1.Increase when dimming is off , standby power consumption is less than or equal to 0.5W.(X version only). 2. Increase features: ripple of output current, Tcase , life time.	V1.2	
2022.5.12	1.Update: When the dimming signal input is 0V, 0%, and 0K Ω , standby power consumption is less than or equal to 0.5W.(X version only). 2.Add TC point position on the shell.	V1.3	
2022.6.10	Add the optional wire (European standard)	V1.4	
2022.8.4	Update: .Because the driver will be in OVP restart model when it works in no-load, so the driver on-load is recommended.	V1.5	
2022.11.8	Updated: Graph of output power VS input voltage.	V1.6	

MANUFACTURER

EDIT	CHECK	APPROVE

